



PRODUCT CATALOGUE

Pinhi Trading specializes in Electrical instrumentation, Analyser services, and IGD Gas Detector supply.

Why Us?

- ✓ Expertise and Experience
- ✓ Customized Trading Solutions
- ✓ State-of-the-Art Technology
- ✓ Robust Risk Management
- ✓ Exceptional Customer Service

We provide a range of products and services tailored to meet the needs of your esteemed company. We are eager to enhance your experience and deliver greater value through our offerings in the future:

- ✓ Gas Analysis Solutions
- ✓ Sample Gas Handling Solutions
- ✓ Gas Detection Solutions
- ✓ Valves and Regulators
- ✓ Instrumentation Fittings and Connectors.

Content

- Electronic | Mechanical Hydrogen Measuring Devices
 - Labom
- Analysers
 - ABB
 - AMS
- Gas Sampling
 - PSG
 - M&C
- Gas Detectors
 - IGD
- Gas Coolers
 - PSG
- Instrument Fittings
- Valves

5-7

9-10

11-15

16

17-18

19-21

22

23-24

25

Content

- Regulators
- Breathalyzer

26

27

ELECTRONIC PRESSURE MEASUREMENT

- **PRESSURE TRANSMITTER:**
 - Pascal Series
 - Compact Series
 - Universal Series
- Process Adaptation Pressure
 - Diaphragm Seals
- Temperature Transmitter
- Resistance Thermometer
 - Invasive Temperature Measurement
 - Non-Invasive Temperature Measurement
 - In-Process Calibration
- Process Adaptation Temperature
 - Thermowells
 - Hit-Thermowell System
 - In-Line Case ASEPTconnect
 - Reconnect FAST COUPLING

MECHANICAL PRESSURE & TEMPERATURE

- **MECHANICAL MEASURING DEVICES:**
 - Pressure Gauges
 - Hygenic Pressure Gauge BC4
 - Hygenic Pressure Gauge BH8
 - Dial Thermometers



To view all Products
and Specifications

CLICK HERE



To view all Products
and Specifications

[CLICK HERE](#)



Analyser, Instrumentation and Gas Detector Experts

ADVANCED OPTIMA GAS ANALYSER SERIES

- AO2000
- AO2020
- AO2040
- LS25

EASYLINE GAS ANALYSER SERIES

- EL 3020
- EL 3040

ANALYSERS

[CLICK HERE](#) for product specifications



[CLICK HERE](#) for product specifications





Technical Data

Analyser	AMS 5200 Transmitter
Measuring principle	ZrO2 sensor with Pt-electrodes
Application	flue gas measurement Soldering machines OEM application Gases Industries Chemical Industries
Probes	AMS 3211-000 / 500 / 600 / 700 / 860 Ex
Measuring range	0 ... 25 Vol %
Analogue signal port	(0) 4 ... 20 mA or 0 ... 10V, galvanically separated
Reproducibility	+/- 2 % of the measuring value
Resolution	0,01 %
T90-Time	< 20 Seconds
Display	2* 16 digit, illuminated LCD display 1. Line: display of concentration in ppm or Vol % 2. Line: messages, device status, sensor parameters
Messages	1 system message (measuring value yes / no) max. 2 messages configurable as oxygen value, calibration message, measuring value in the range, flow rate
Digital communication	serial interface RS232, bidirectional
Ambient operating temp.	- 20 °C up to + 60 °C
Power supply	24 VDC / 110...230 VAC
Protection / Housing / Dimensions	IP65 / wall mounting housing / ca. 300 x 320 x 130 mm (hxbxt) Ex-d housing for Zone 1 / ca. 300 x 250 x 200 mm (hxbxt)
Weight	3,5 kg
Options	pneumatic unit for supplying the probes with reference gas and / or calibration gas automatic calibration by using a pneumatic unit
Version: AMS 5200 E V-2021-01	

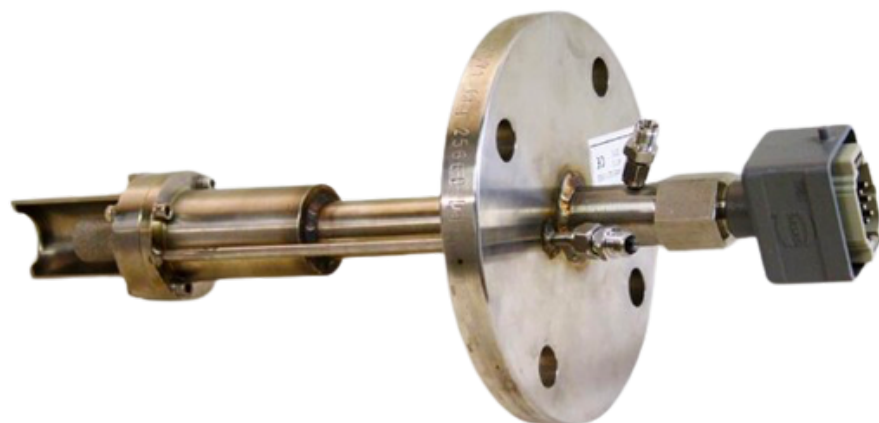
Specifications subject to change.



Technical Data

Analyser	AMS 5225
Measuring principle	Electrochemical oxygen sensor
Application	Soldering machines Welding technology Gases Industries Chemical Industries
Measuring range	0 ... 25 Vol. %
Analogue signal port	(0) 4 ... 20 mA or 0 ... 10V, galvanically separated
Reproducibility	+/- 2 % of the measuring value
Resolution	0,01%
T90-Time	ca. 20 Seconds
Display	2* 16 digit, illuminated LCD display 1. Line: display of concentration in ppm or Vol % 2. Line: Messages, device status, sensor parameters
Messages	1 system message (measuring value yes / no) max. 2 messages configurable as oxygen value, calibration message, measuring value in the range, flow rate
Gas connection	inlet / outlet 3 / 6 mm ferrule pack
Sample flow	min. 30 NI/h, max. 50 NI/h
Sample pressure (inlet)	min. 1,01 bar abs., max. 10 bar abs.
Digital communication	serial interface RS232
Ambient operating temp.	+ 5 °C up to + 60 °C
Power supply	110 ... 230 VAC or 24 VDC
Protection / Housing / Dimensions	IP20 / electronics unit 28 TE / 3HU IP65 / wall mounting housing / ca. 300 x 260 x 130 mm (hxbxt) IP54 / portable housing 42 TE / 3 HU
Weight	2,5 kg ... 10 kg depending on housing and built-in options
Options	Sample gas pump electronic flow analysis pressure reducer Automatic calibration Particle filter Purge unit for Ex-Zone 2 application
Version: AMS 5225 E V-2022-01	

Specification subject to change



Technical Data

ZrO2 probe	AMS 3211-500
Measuring principle	ZrO2 probe with Pt-electrodes
Application	Residual oxygen in flue gas
Construction	ZrO2 sensor installed in the tip of the probe with stainless steel sintermetalfilter screwed on
Flue gas temp., max.	≤ 500 °C, shorttime to 550 °C
Dust content (flue gas)	up to 5 Gram/Nm3, if higher shield to protect against abrasion or separate protecting tube / blow back
Flue gas velocity	max. 20 m/Sec., if higher shield to protect against abrasion or separate protecting tube
Time for pre-heating	~ 10 Minutes
T90-Time	< 20 Seconds
Reaction time	< 2 Seconds
Probe length	150 – 3000 mm
Connecting flanges	DN 65 PN 16, DN 80 PN 16 (larger on request)
Material	Stainless steel 1.4541, Option: Inconel 600
Installation in the stack	pointing downward
Protection	IP 65
Reference air supply	by separate pneumatic unit
Calibration gas supply	by separate pneumatic unit
Weight	ca. 6,5 kg
Accessories	
Transmitter	AMS 5200 in housing IP 65
Pneumatic unit	GRP housing, Dimensions: 600 x 600 x 200 mm Back-purge, Auto-calibration
Version: AMS 3211-500 E V-2021-08	

Specifications subject to change



Technical Data

	RHADOX 7100 / 7100 Ex
Ex-classification	ATEX II 2G Ex pxb IIB+H2 T4 Gb X (Ex-Zone 1) ATEX II 3G IIB+H2 T3 Gc (Ex-Zone 2)
Measuring components / -ranges	
Air demand	smallest measuring span 1,5 m3 Air / m3 Gas largest measuring span 30 m3 Air / m3 Gas
Wobbe-Index	smallest measuring span 5 MJ / m3 largest measuring span 120 MJ / m3
Analogue output	2* 4 ... 20 mA, galvanically separated
Reproducibility	≤ 1,0 % of measuring value
Long term drift	≤ 2 % of measuring value / month
Temperature drift	< 0,02 % / K, relative to end of measuring range
T90-Time	10...30 seconds, depending on viscosity of the measuring gas
Display	2* 16 digit illuminated LCD display for Wobbe-Index, Air Demand and status signals full colour graphic display
Options	
Messages	1 System message (Measuring value yes / no) 3 Messages (Indication of operating status) Service, Calibration, Error messages
Digital communication	Serial interface RS232
Options	RS 485, Ethernet
Ambient temperature	from - 5 °C to + 45 °C
Operating temperature	from + 5 °C to + 60 °C
Gas connections :	
Inlet / Outlet	6 / 12 mm, Ferrule pack, stainless steel
Gas flow volume	Measuring gas 20 ... 100 NI/h Instrument Air 50 ... 500 NI/h (depending on Air demand)
Gas pressure (at Inlet)	Gas ≥ 0,1 bar (g), max. 17 bar(g) Instrument Air ≥ 2 bar (g), max. 8 bar (g)
Power supply	115 or 230 VAC / 50 - 60 Hz, 500 VA
Protection class / Housing	IP65 / h*b*t 1000*900*350 mm
Weight	~100...125 kg, depending on options and protection class
Options	Integrated catalytic converter of by-pass gas Oxygen Measurement of the raw sample gas Auto-Calibration
Version: AMS RH7100 E V-2022-01	

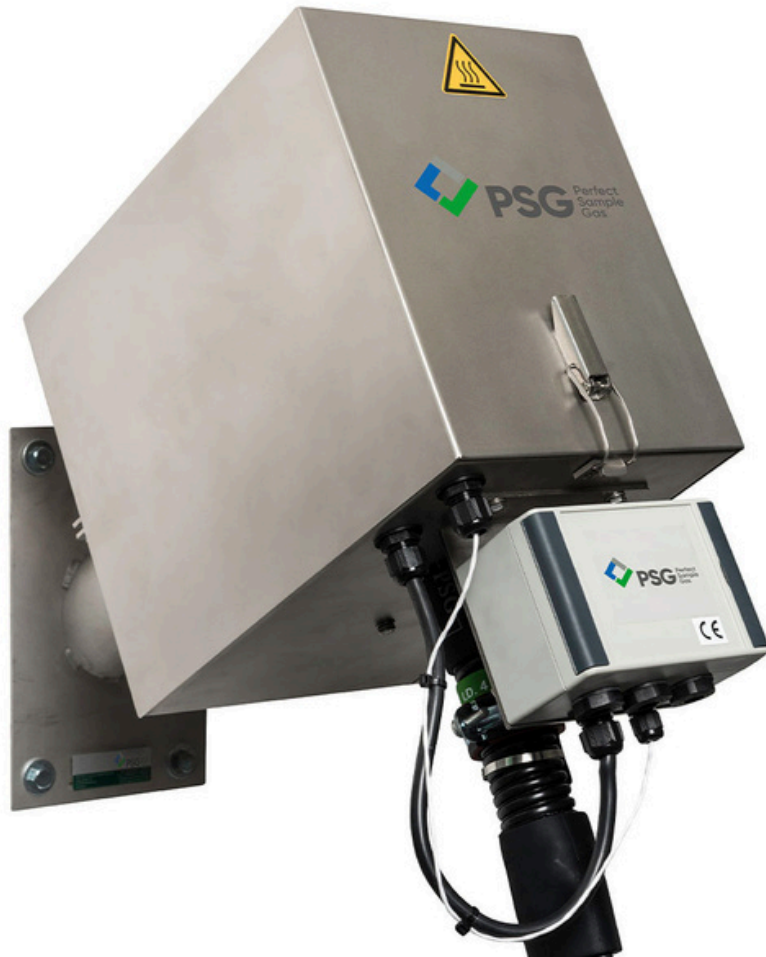
Technical Data subject to change.



Technical Data

Analyser	AMS 3126
Measuring principle	Electrochemical/ZrO ₂ - Oxygen Sensor
Application	Gases industries, Chemical Industries
Measuring range	4, automatically changing, with digital identification
Max. range	0 ... 25 Vol % or
Min. range	0 ... 10, 0 ... 100, 0 ... 1000 ppmv
Analogue signal port	(0) 4 ... 20mA, galvanically separated
Reproducibility	+/- 2 % of the measuring value
Resolution	0,01 ppm – C(O ₂) – 0,01 % depending on O ₂ concentration and application
T90-Time	< 40 seconds for measurement less than 10 ppm with previous measurement in ambient air
Display	2* 16 digit, illuminated LCD display
Messages	3 free adjustable isolated changeover relays
Gas connection	inlet / outlet 3 / 6 mm ferrule pack
Gas sampling	built-in inlet / outlet valve, measure-/calibration-valve flowmeter, pressure reducer
Sample flow	min. 20 NI/h, max. 40 NI/h / purge gas 3 NI/h
Sample pressure (inlet)	min. 1,01 bar abs., max. 10 bar abs.
Sample pressure	Integrated pressure reducer
Ambient operating temp.	- 5 °C up to + 45 °C
Relative humidity of the gas	0 ... 99 % not condensing
Power supply	110 or 230 VAC / 60 - 50 Hz or 24 VDC
Protection / Housing / Dimensions	IP20 / 19" rack 3 HU (other on request)
Weight	5-8 kg, depending on housing / options
Options	5-way valve, manual, for switching between the gases auto-calibration electronical flowmeter Sample gas pump different housing
Version: AMS 3126 E V-2021-07	

Specifications subject to change



GAS SAMPLING

PSG BASIC PROBE
PSG BASIC PROBE DUO
PSG PLUS PROBE
PSG PLUS PROBE ATEX 90
PSG PLUS PROBE DeNOx
PSG PLUS PROBE DOUBLE BACK PURGE
PSG PROCESS PROBE ATEX 150
PSG PROCESS PROBE ATEX 180

To view all Products
and Specifications

[CLICK HERE](#)



GAS SAMPLING

Gas Sample Probe Series SP®

Versions SP3200V and SP3200 for sampling
from Ex zone 2 or 22

To view all Products
and Specifications

[CLICK HERE](#)



Technical Data

Gas sample probe type	SP3200V (up to 185 °C) [up to 365 °F]	SP3200 (more than 185 °C) [more than 365 °F]
Part No.	2055705	2055700
Weather protection shield	Yes	
Filter housing material	Stainless steel 316/316Ti	
Sealing materials	Graphite, FKM	Graphite
Probe flange sealing material	Graphite	
Pre-filters/sample tubes	Optional, see data sheets 2.17 and 2.14	
Sample pressure max.	0.5 to 6 bar abs.	
Ambient temperature	-20 to +60 °C [-4 to +140 °F] depending on option selected	
Permissible process gas temperature	Depending on the temperature class, however max. 200 °C [max. 392 °F] at the probe inlet	
Filter chamber volume	120 cm ³	
Filter element, porosity	F-3SS150= stainless steel*, 3 µm S-2K150= ceramic**, 2 µm	
Sample gas outlet connection	1 x 1/4" NPT i for max. 8 mm tube connectors	
Connection gas outlet with option RS	6 mm Swagelok connector	
Mounting flange	DN 65 PN 6, FormB, SS316Ti* > DN or ANSI possible**	
Weight	7 kg [= 15.43 lbs]	
Option heating type HEX5	HEX5-1.08	HEX5-2.08
Part No.	2059650(a)	2059655(a)
Mounting of controller	In Ex zones 2 and 22	
Control	Electronic	
Power supply	240 V 50/60 Hz or 120 V 50/60 Hz [a]	
Electrical connection	Cable gland, terminal range 6 to 12 mm, terminals max. 4 mm ²	
Marking	⊕ II 3 G Ex nA nC nL IIC T5 to T2, ⊕ II 3 D Ex tD A22 IP65 T75°C to T235°C Class I, Division 2, Groups A/B/C/D, T5 - T2B	
Power	Max. 800 W [240 V], max. 830 W [120 V]	
Case protection	IP65; EN 60529	
Operating temperature	0 to max. 230 °C [+32 to max. +446 °F]	
Ambient temperature	0 to +50 °C [+32 to +122 °F] Controller: 0 to +50 °C [+32 to +122 °F], Heater: -20 to +70 °C [-4 to +158 °F]	
Low temperature alarm contact	-5 °C [23 °F] to Tset potential-free closing contact with switching capacity 250 V 3 A AC, 0.25 A DC	
Option back-purge unit type RS	RS	
Part No.	2055560(a)	
Power supply	230 V 50/60 Hz 9 W or 115 V 50/60 Hz 9 W [a]	
Electrical connection	Cable 3 x 1 mm ²	
Marking	⊕ II 3GD T4, in combination with SP3200[V]	
Connection	G 1/2" i at the buffer vessel	
Max. back-purge pressure	6 bar abs.	
Volume buffer vessel	2 liters	
Ambient temperature	-20 to +55 °C [-4 to +131 °F]	
Option 2-way-ball valve in the probe inlet	/VA	
Part No.	2059050	
Operating temperature	-20 up to +185 °C [-4 up to +365 °F]	
Option 2/3-way-ball valve in the probe inlet	/3VA	
Part No.	2059325	
Backflush/test gas connection	6 mm tube	
Operating temperature	-20 up to +185 °C [-4 up to +365 °F]	
Option pneum. drive for ball valve /VA or /3VA	MS1	
Part No.	2059055	
Connection control air	G 1/4" i	
Pressure control air	5 to 10 bar	
Option valve for blowback or calibration gas 1/4"	/R	
Part No.	2059045	
Opening pressure	> 0.7 bar	
Connection	6 mm tube	
Maximum blowback pressure	6 bar abs.	
Maximum operating temperature	+185 [+365 °F]	

* Standard, ** optional



Technical Data

Gas sample probe type	SP3200V (up to 185 °C) [up to 365 °F]	SP3200 (more than 185 °C) [more than 365 °F]
Option high-performance blowback valve	/BB	/BBF
Part No.	2059008	2059006
Way of blowback gas	Via filter chamber	Via probe filter element
Check valve	High-performance check valve 3/8"	
Opening pressure	> 0.7 bar	
Connection	8 mm tube	
Maximum blowback pressure	6 bar abs.	
Maximum operating temperature	185 °C [365 °F]	
Option test gas valve/shut-off valve	/C + /I	
Part No.	2059011 and 2059009	
Way of test gas	Via sample gas outlet with shut-off to the process	
Check valve	Check valve 1/4"	
Opening pressure	> 0.7 bar	
Connection	6 mm tube	
Shut-off valve	Bellow-type valve with pneumatic drive	
Pressure control air	3 to 10 bar	
Connection control air	1/8" NPT i	
Option second sample gas outlet	/2X	
Part No.	2059015	
Connection	1/4" NPT i	
Option-spun glass cartridge	/FW	
Part No.	2059047	2059046
Material	SS 316Ti, Novapress*	SS 316Ti, graphite

* Standard, ** Option
Novapress* is a registered trademark for elastomer-bonded gasket material used by the German company Frenzelit GmbH.



Analyser, Instrumentation and Gas Detector Experts

Combinations of options

Option No.	1	2	3	4	5	6a	6b	7	8	9
	/RS	/VA	/3VA	/MS1	/R	/BB	/BBF	/C/I	/2X	/FW
/RS		X						X	X	
/VA	X			X	X	X	X	X		X
/3VA				X				X	X	
/MS1		X	X							
/R		X								
/BB		X						X	X	
/BBF		X						X	X	
/C/I	X	X	X			X	X			X
/2X	X	X	X			X	X			X

X = possible combinations
X = recommended combinations

Differential pressure and T₉₀ time

ΔP and T90 at a flow rate of:	100	200	500	1000	1500	NI/h
ΔP with new filter element F-3SS150	0.006	0.012	0.040	0.110	0.215	bar
ΔP with new filter element S-2K150	0.003	0.005	0.02	0.058	0.135	bar
T90 time for SP3200 without tube	6	3.5	1	< 0.5	< 0.5	s

Please note: NI/h and NI/min refer to the German standard DIN 1343 and are based on these standard conditions: 0 °C [32 °F], 1013 mbar.



TOCSIN 650 & 750 SERIES ADVANCED ADDRESSABLE 2-WIRE GAS DETECTION SYSTEM SPECIFICATIONS

Power	175 W PSU @ 110V AC Nominal (88 to 127 V AC 50/60Hz by selection) 175W PSU @ 230V AC Nominal (190 to 260V AC 50/60Hz by selection) 340W PSU (88 to 260V AC 50/60Hz by selection)
Construction	ABS
Display	2 Lines x 8 Digit LCD Display Multi-Colour Backlight (Red-Alarm, Yellow-Fault, Blue-Normal) or 7" Touch Screen
User	T650 – IGD Jog Wheel Option Select T750 – Full Touch Interface
Outputs	3 off SPCO Relays 4A Non-Inductive User Configurable 1 off Fault Relay SPCO Relays 4A Non-Inductive 1 off Solid State Beacon Sounder Output <i>Additional Digital Inputs/Relays Outputs Can Be Added to Highways If Required</i>
Other I/O	Sounder 85db @ 100mm (Mutable) 2 off RS485 Ports Modbus Dedicated E-Stop/Slam Switch Input Dedicated Fire System Interlock
Inputs	Up to 128 off Addressable Series Detectors or I/O Modules Over 4 Addressable Highways <i>Additional Highways Possible With Additional Hub Cards Note External Booster PSU may be required</i>
Temperature	-5 to 40 Dec Full Specification. To 55 Deg C De-Rate PSU Output by 30%
Humidity	0-95% RH Non-Condensing
Sealing	IP54
Mounting	Wall Mount
Weight	1.75Kg



TOCSIN 750 SAMPLER ADVANCED ADDRESSABLE 2-WIRE GAS DETECTION SYSTEM SPECIFICATIONS

Power	24V DC
Construction	ABS
Outputs	4 off SSR Outputs (Switched Neg 24V DC, Common 200mA load shared across all O/P's) Op1 Dedicated to Low Flow
Communication	IGD Sentinel+ Protocol, 2-Wire Protocol
Pressure	Samples From Ambient Pressure to 10mBar Depression, Low Flow Indication at 23mBar Depression
Temperature	-5 to +55 Deg C Full Specification
Humidity	20-90% RH Non-Condensing
Sealing	IP54
Mounting	Wall Mount
Weight	0.85 Kg



TOCSIN 750B SERIES SAFE AREA GAS DETECTORS SPECIFICATIONS
















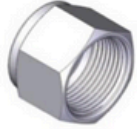



Power	12 to 26V DC
Construction	ABS
Sensor	Direct Pellistor Interface Input for IGD Toxic, Oxygen, Infra red and PID detectors
Communication	IGD Sentinel+ Protocol, 2-Wire Connection L1,L2
I/O	1 off SPCO Relays 4A/230V AC Non-Inductive User Configurable from 650/750 Controllers 2 multifunction ports as: Digital Input Max 0.2Hz Digital Input 0-3V Max 0.2Hz 4-20mA input or Solid State Output 24V DC Max 300mA shared Across both Ports
Temperature	0 to 55 Deg C
Humidity	0-95% RH Non-Condensing
Sealing	IP54
Mounting	Wall Mount
Weight	300 g


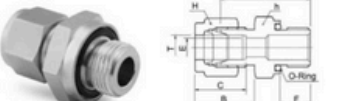
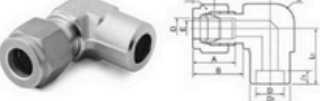
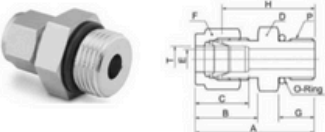
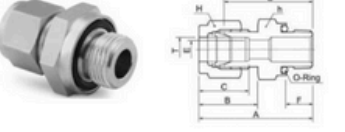
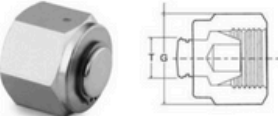

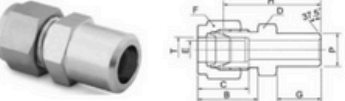


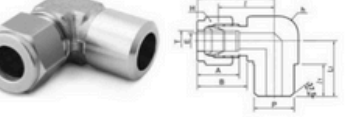


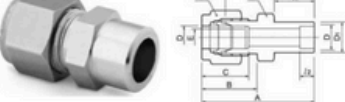



PSG BASIC COOLER MAK BASIC
PSG PLUS COOLER MAK 10
PSG PLUS COOLER MAK 10 MOBILE PELTIER
PSG PLUS COOLER MAK 10 PELTIER
PSG PLUS COOLER MAK 10 PORTABLE
PSG PLUS COOLER MAX 20
PSG PROCESS COOLER BCR01
PSG PROCESS COOLER BCR02
PSG PROCESS COOLER BCR02 ATEX
PSG PROCESS COOLER BCRO3
PSG PROCESS COOLER BCRO3 ATEX
PSG PROCESS COOLER BCRO5 ATEX
PSG PROCESS COOLER MAK PROCESS C
VARIABLE-AREA FLOWMETER
CONDENSATE SENSOR
DEPTH FILTER
DIAPHRAGM SAMPLE GAS PUMP N86
ELECTRONIC CONTROL
PERISTALTIC PUMP SR25
PRE-SEPARATOR

To view all Products
and Specifications

[CLICK HERE](#)

MFH SERIES Metal Flexible Hoses 		PBH SERIES PTFE-lined, Stainless Steel Braided Hoses 		HPH SERIES High Pressure Metal Hoses 	
NU SERIES Union 	NRU SERIES Reducing Union 	NBHU SERIES Bulkhead Union 	NMC SERIES Male Connector 		
NFC SERIES Female Connector 	NUE SERIES Union Elbow 	NME SERIES Male Elbow 	NUT SERIES Union Tee 		
NFBT SERIES Female Branch Tee 	NR SERIES Reducer 	NP SERIES Plug 	NC SERIES Cap 		
NN SERIES Nut 	NFS SERIES Ferrule Set 	NHN SERIES Hex Nipple 	NMP SERIES Male Plug 		

<p>DBMCH – AN Bulkhead Union</p> 	<p>DMCOS – O-Seal Straight Thread Connection</p> 	<p>DESW – Tube Socket Elbow</p> 
<p>TUBE TO SAE O-RING SEAL DMCS – SAE Male Connector</p> 	<p>DMCOP – O-Seal Tapered Thread Connection</p> 	<p>TUBE TO MALE PIPE DTP – Plug</p> 
<p>DMES – SAE Male Elbow</p> 	<p>TUBE TO WELD END DODBW – Male Pipe Weld Connector</p> 	<p>DTC – Cap</p> 
<p>DRTS – Positionable SAE Male Run Tee</p> 	<p>DEBW – Tube Socket Weld Elbow</p> 	<p>SPARE PARTS DN – Nut</p> 
<p>DBTS – Positionable SAE Male Branch Tee</p> 	<p>DDSW – Tube Socket Connector</p> 	<p>DFF & DBF – Front Ferrule</p> 

<p>DV SERIES Diaphragm Shut-off Valve</p> 	<p>NPG SERIES Pressure Gauge</p> 	<p>BG SERIES Ball Valve</p> 
<p>BR SERIES Ball Valve</p> 	<p>BV SERIES Ball Valve</p> 	<p>NG SERIES Needle Valve</p> 
<p>RV SERIES Relief Valve</p> 	<p>RVS SERIES Relief Valve</p> 	<p>CV SERIES Check Valve</p> 
<p>CVH SERIES Check Valve</p> 	<p>FI SERIES Micron Inline Filter</p> 	<p>D100 SERIES Cylinder Valve</p> 
<p>QC SERIES Quick Connector</p> 	<p>CGA Cylinder Connectors</p> 	<p>TSSM SERIES Supper Clean Tube</p> 

NR11 SERIES Cylinder Pressure Regulator 	NR12 SERIES High Flow Regulator 	NR13 SERIES High Flow Regulator 	NR31 SERIES Dual-Stage Regulator 
NR41 SERIES High Pressure Regulator 	NR61 SERIES High Flow Regulator 	NR71 SERIES Back Pressure Regulator 	DHG SERIES High Flow Regulator 
HRG90 SERIES High Flow Regulator 		PRM SERIES Panel Regulator 	
PMF SERIES Semi-automatic Changeover System 		PMD SERIES Dual-Stage Semi-automatic Changeover System 	
RMP SERIES Gas Supply manifolds 		PRD SERIES Panel Regulator 	



Alcohol specific and provides exceptional life and accuracy to your unit
Unsurpassed passive testing. Perfect for open containers. Rapid multiple subject testing
Immediate response on negative. Immediate recovery on negative.
0-55 Deg C
Easy guide users through the testing process.
View the results of the last test taken.
Displays breath flow & alcohol curve while providing audible prompts to ensure proper test taking.
Test will not activate until subject begins blowing.
Auto, Manual, and Passive modes.
End of Breath: test taken at the end of breath sample. Precise Volume: test taken after detecting 1.5l of breath.
Excellent day or night visibility. Full 64 character display. Easy to understand prompts with full text alerts. Power Saving Auto Shut-off.
Heavy duty components and rugged case. Fits securely in your hand, small enough to fit in a shirt pocket.
160 hours of "on time" or up to 6000 tests.
4AA alkaline or NiMH rechargeable batteries.



www.pinhitrading.com